

DECIDAMP® RTD - AS60-5600

noise reducing tuned mass rail damper

Decidamp RTD is a rail track damper designed to effectively reduce noise generated by track resonance. The high performance polymer composite provides significant damping via a tuned mass system. Along with noise reduction, it can also assist in reducing rail metal fatigue or corrugation growth, lowering maintenance cost.

Decidamp RTD can be designed and tuned to meet customer noise reduction requirements.

By using our internal research and development team, together with leading acoustic engineers, extensive product development was performed to create an optimised solution. On-site field testing also ensures dampers are optimised to deliver maximum effectiveness on any track configuration.

Decidamp RTD can be easily fitted to existing and new rail track as a method of complying with noise legislation and environmental planning regulations. Decidamp RTD dampers are easily attached to either side of the rail using specially designed brackets.

Decidamp RTD is a cost-effective option to reduce radiating noise from railway rolling track.

VOC, ODP, HEALTH AND SAFETY

Decidamp RTD is non-toxic and safe to handle by methods prescribed in Safety Data Sheet. No Ozone depleting substances are used during the manufacture of Decidamp RTD.

SPECIFICATIONS

Colour	Black
Available	Track profile: AS60 Length (mm): 400 Weight (kg): 5.6 Noise reduction: Up to 5.2 dB(A)*
	Other track profiles available on MOQ

*Refer to acoustic performance tables

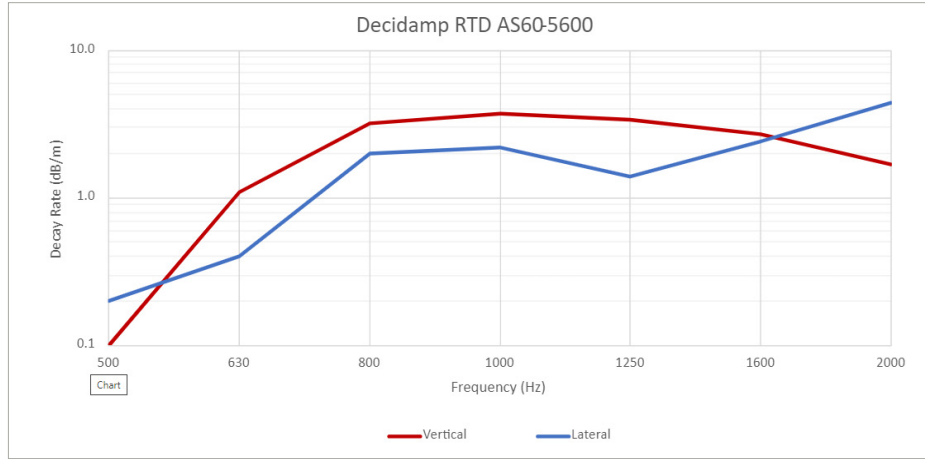


features

- Decidamp RTD can effectively reduce rail-radiated noise
- Highly optimized performance to weight ratio - minimized weight for ease of installation
- Can reduce rail fatigue/corrugation
- Minimise track maintenance
- Prolong track lifespan
- Easily installed, reducing down time during commissioning of new rail tracks or during maintenance
- Dampers can be made available for various track profiles
- Damping performance is tuned to be effective across the typical frequency range of track vibration
- Minimal maintenance requirement after installation, long life once fitted
- Does not interfere with other elements of the rail assembly
- No interference with other track maintenance e.g. rail grinding
- Reduces the reliance on noise barriers
- Glue point locations to reduce lateral movement

ACOUSTICS PERFORMANCE

Track Decay Rate



Product	Direction	Decay Rate (dB/m) at One Third Octave Band Centre Frequency (Hz)							Typical noise mitigation STARDAMP modelled scenario Sound pressure levels at 7.5 m dB(A)
		500	630	800	1000	1250	1600	2000	
Decidamp RTD AS60-5600	Vertical	0.1	1.1	3.2	3.7	3.4	2.7	1.7	Up to 5.2 dB(A) reduction in noise from rail track source.
	Lateral	0.2	0.4	2.0	2.2	1.4	2.4	4.4	

Report number: 610.19202-L12-v1.0-20220603

Nominal measurement of track decay rate (TDR) of 6 m length track with 0.7 m spacing between Decidamp RTD dampers.

Correct installation is required to achieve best results, variation in measured TDR is expected for variation in track length, spacing or end test condition.

STARDAMP calculations are system dependent and assessment should be done on track forms specific to end-use.

PRODUCT SPECIFICATIONS

Product Name	Colour	Nominal weight (kg)	Length (mm)	Operating Temperature	Installation method
Decidamp RTD AS60-5600	Black	5.6	400	Optimal: 10 to 40 °C Continuous: -40 to 80 °C Maximum Intermittent 130 °C	2x stainless steel clips per Decidamp RTD damping block.

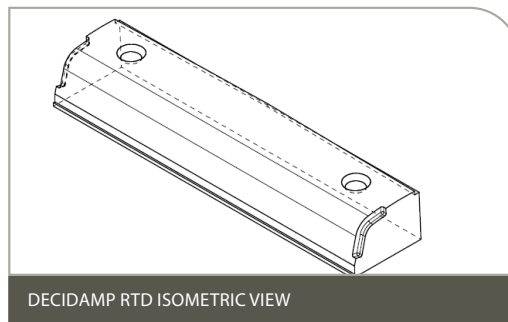
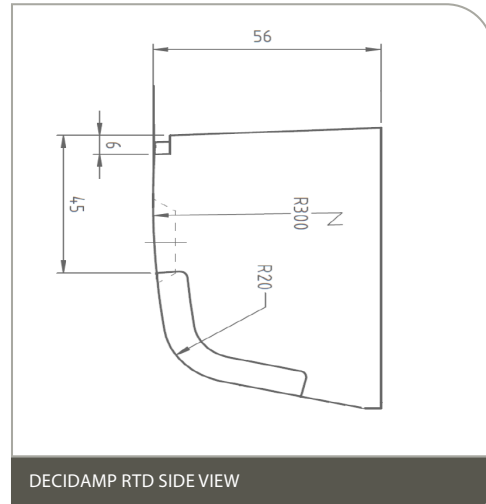
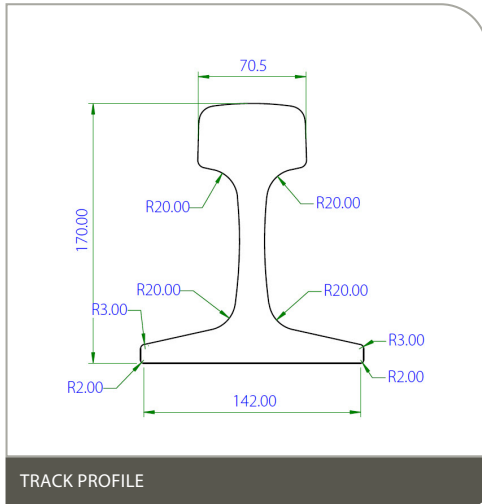
Enquire for alternate method of installation.

MATERIAL PROPERTIES

Test method	Property	Report no.	Results
ASTM D5116	TVOC specific area emission rate	V2010039	Emissions are less than the Green Star recognised threshold of 0.5 mg/m2/hr
EN 17084, NF X 70-100 (EN 455545-2)	Fire test, analysis of gaseous effluents produced by thermal degradation	501693	C.I.T = 0.28 Complies with strictest implementation of HL3 criteria, a maximum permissible value of 0.75
Design life and maintenance	Service life assessment	BAS/20/L01/10929	35 years with proper use, installation and maintenance



TRACK AND PRODUCT DRAWINGS



For further information and contact details, please visit our website pyroteknc.com

Caveats: Specifications are subject to change without notice. The data in this document is typical of average values based on tests by independent laboratories or by the manufacturer and are indicative only. Materials must be tested under intended service conditions to determine their suitability for purpose. The conclusions drawn from acoustic test results are as interpreted by qualified independent testing authorities. Nothing here releases the purchaser/user from responsibility to determine the suitability of the product for their project needs. Always seek the opinion of your acoustic, mechanical and fire engineer on data presented by the manufacturer. Due to the wide variety of individual projects, Pyrotek is not responsible for differing outcomes from using their products. Pyrotek disclaims any liability for damages or consequential loss as a result of reliance solely on the information presented. No warranty is made that the use of this information or of the products, processes or equipment to which this Information Page refers will not infringe any third party's patents or rights.
 DISCLAIMER: This document is covered by Pyrotek standard Disclaimer, Warranty and © Copyright clauses. See pyroteknc.com/disclaimer.

